

TAG XR



Symcod

Industrial computer and
IT equipment manufacturer

Compact and rugged all-in-one microcomputer

Simplify the management and monitoring of your operations with this all-in-one computer and panel PC with Multi-Touch touch screen. Multifunctional and versatile, the TAG XR is specifically designed to perform in a variety of application areas and facilitate the execution of your operations. In addition to adapting to all types of industrial and commercial environments, its installation is simple and quick!

Increase reliability, stability and flexibility with the TAG XR, the all-in-one device for your needs!



Key advantages



Simple VESA
installation and
Energy-efficient



All-in-one PC
with metal housing



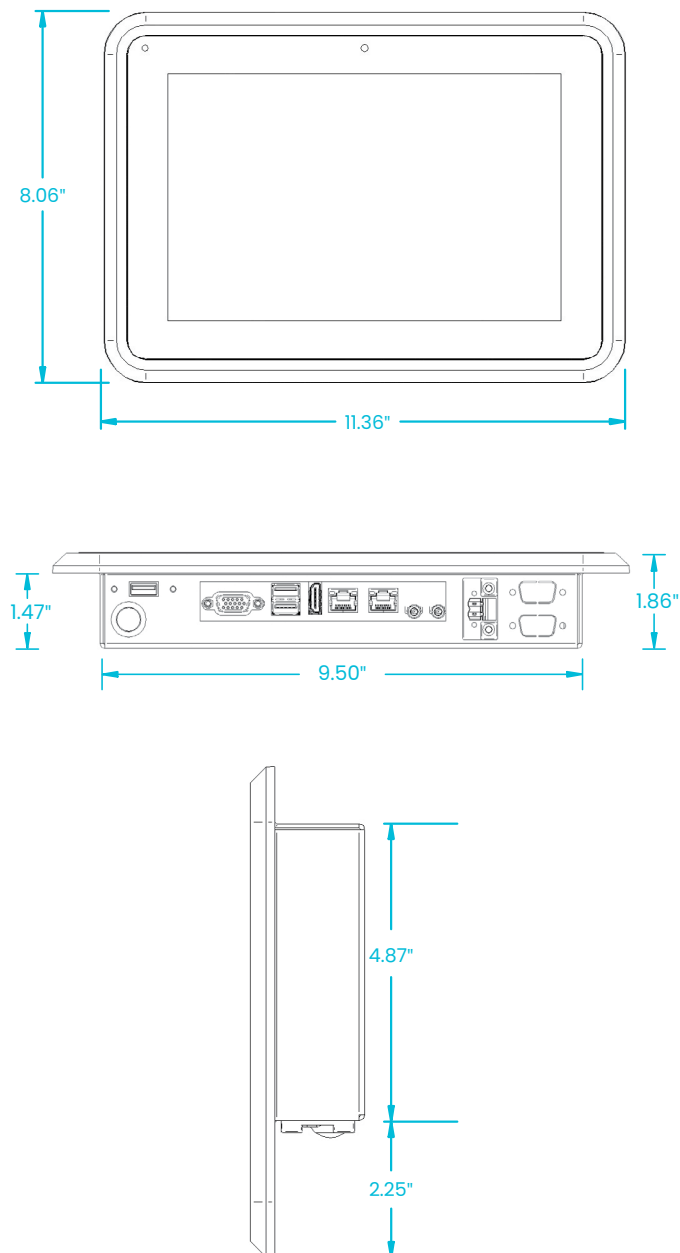
Resistant to liquid
splashes (optional)



Time clock that
allows several
reading devices

TAG XR

Dimensions



Technical specifications

Weight	1.5 kg (3.3 lbs)
Power supply	DC 9 to 36 V (terminal block), power supply provided
Casing	Aluminum / ABS
Microprocessor	Intel Apollo Lake 2.4 GHz Dual Core
Memory (RAM)	4 GB standard (Type DDR3L) up to 8 GB
Memory	64 / 256 GB flash drive
Screen	10.1" TFT colour display (1280 x 800) / Projected capacitive touchscreen
Inputs / Outputs	1 HDMI port / 1 SVGA port / 2 USB 3.0 ports / 1 USB 2.0 port / 2 Ethernet 1000BaseT ports / 2 Audio ports (Mic-in, Line-out) / 2 serial ports (optional)
Operating system	Windows 10 IoT Enterprise 64 bit or Linux Debian
Certification	FCC RoHS
Limited warranty	2 years on parts and labor at our workshop (Extended warranty available)
Other	VESA 100 mounting / blue LED (powered)

Accessories and Options

WiFi 802.11 ac/a/b/g/n and Bluetooth / Panel Mount / Camera / External devices: keyboard, CCD, laser, proximity reader, biometric, printer / Scale

Environment

Operating temperature: 5°C to 40°C (41°F to 104°F)

Storage temperature: -20°C to 60°C (-4°F to 140°F)

Relative humidity: 20% to 80% without condensation